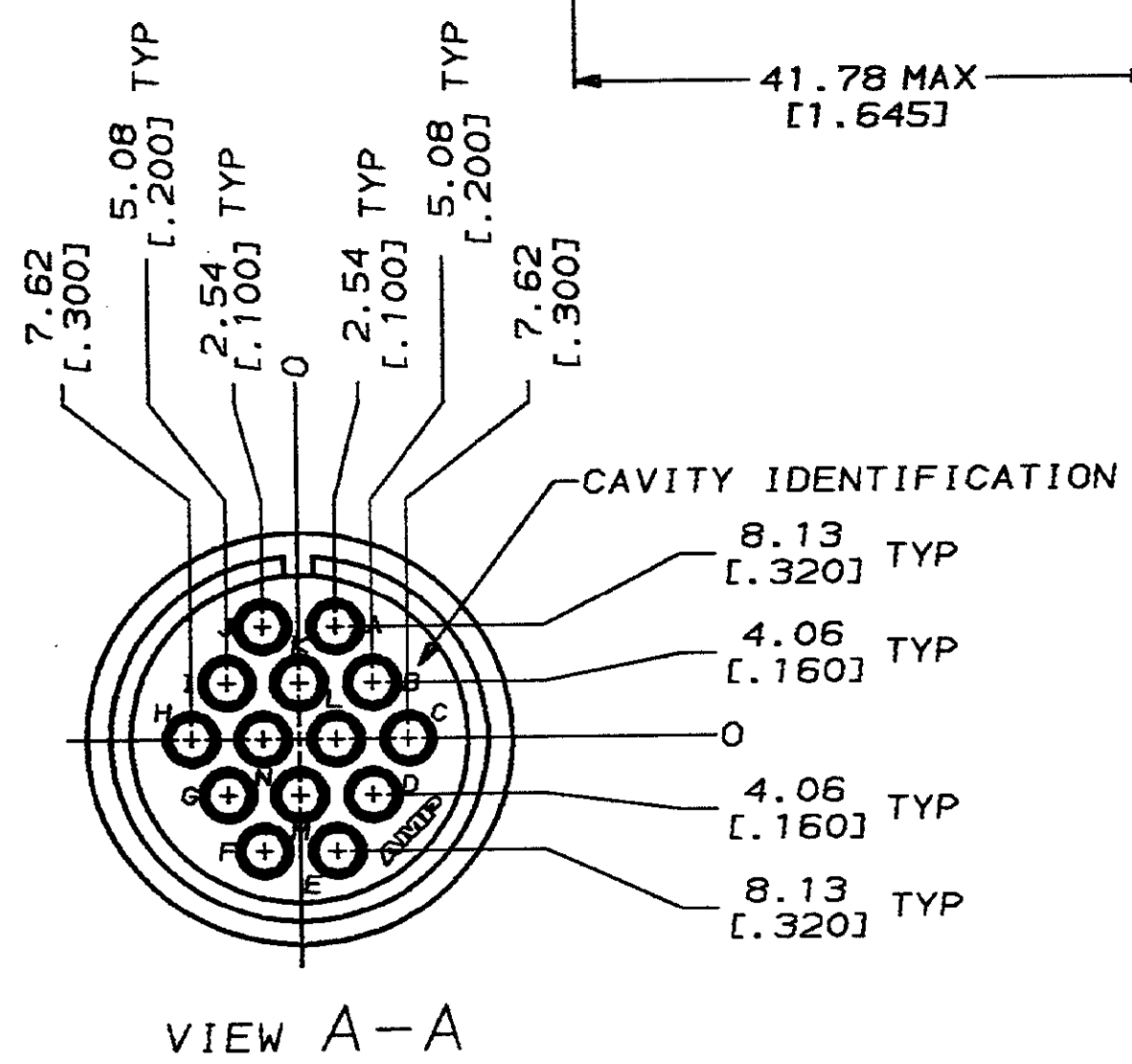
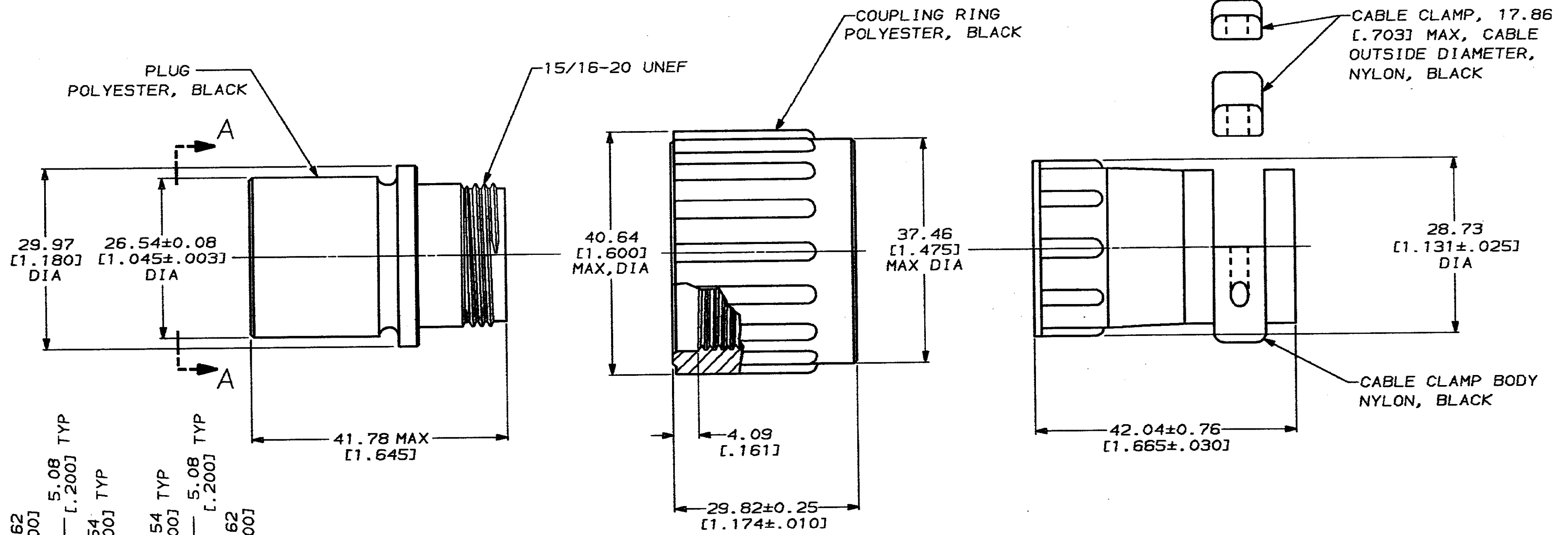
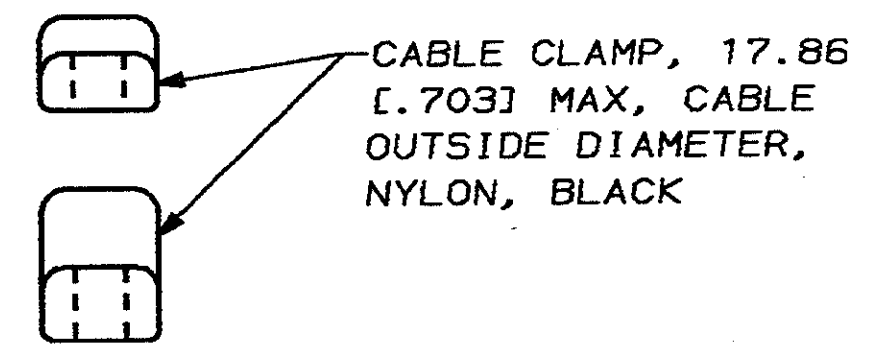
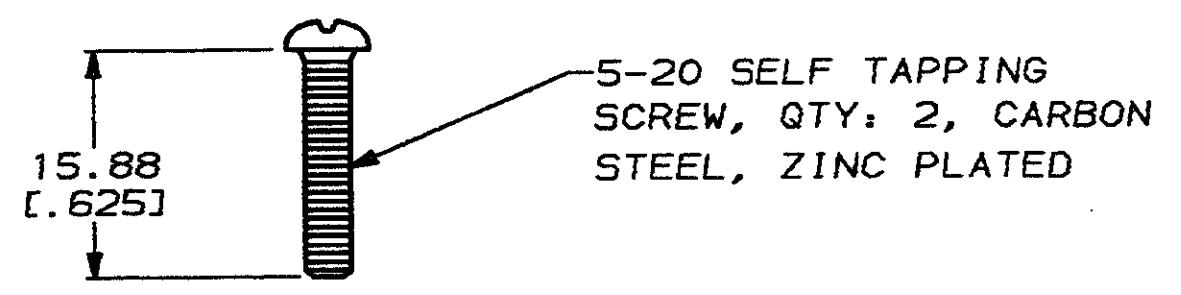
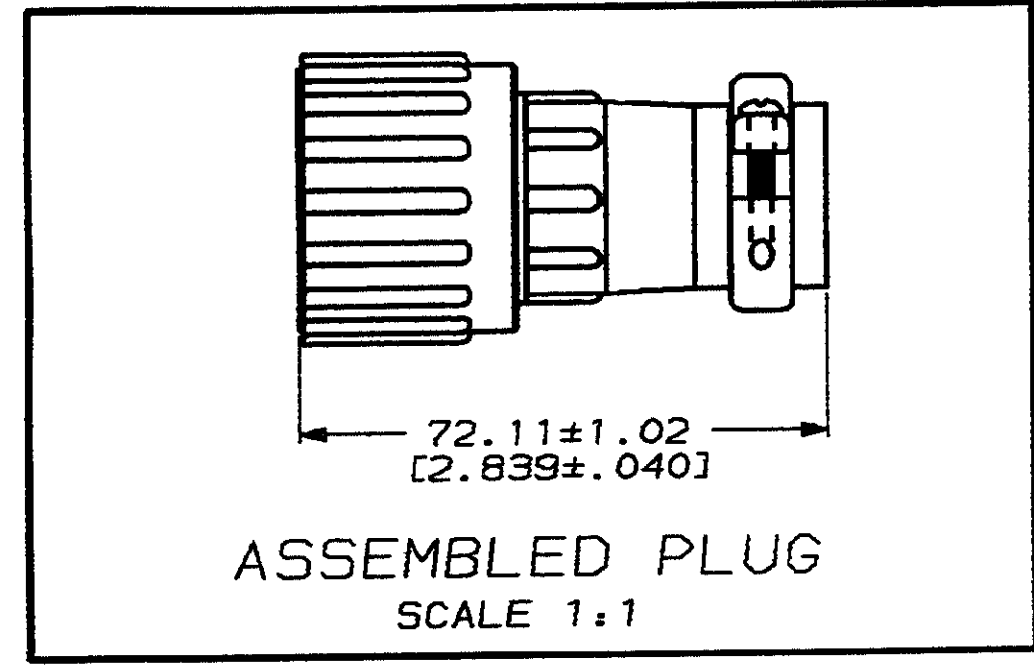


DRAWING MADE IN THIRD ANGLE PROJECTION

THIS DRAWING IS UNPUBLISHED. RELEASED FOR PUBLICATION .19  
 © COPYRIGHT 19 BY AMP INCORPORATED. ALL INTERNATIONAL RIGHTS RESERVED.

NO	LOC	QTY	P	F	ZONE	LTR	DESCRIPTION	DATE	APPD
3	BD	39					RELEASED PER NPR 2594, WAS 89-5029-21	11-2-89	-
						A	REVISED ECN BD3637	02/07/90	-
						B	REVISED PER ECN BD3910	04/20/90	MK
						C	REVISED PER ECN BD3892	05/14/90	MK

1. PLUG MATES WITH RECEPTACLE, AMP PART NO 213570-1.
2. PLUG ACCEPTS TYPE III+ PIN CONTACTS, AMP PART NO 66597-6.
3. PARTS BULK PACKAGED.
4. PLUG MATES WITH AMPHENOL PART NO 97-4102A-20-275.



**METRIC**

DO NOT SCALE PRINT. UNLESS SPECIFIED DIMENSIONS IN mm [INCHES] TOLERANCES ON: 2 PLC DEC ± 0.13 [0.005] 3 PLC DEC ± - ANGLES ± -		DR 8-30-89 W.G. LENKER		213571-1 PART NO	
MATERIAL SEE CALLOUTS		CHK 11-17-89 R.STONE		AMP INCORPORATED Harrisburg, Pa. 17105	
FINISH SEE CALLOUTS		APPD 11-17-89 M. KAPEZYNSKI		NAME PLUG KIT, 20-14 ARR, SPECIAL, UNASSEMBLED, CPC	
		APPD 12-11-89 G.J. SACUNAS		SIZE C	
		APPLICATION SPEC		CAGE CODE 00779	
		WEIGHT		DRAWING NO 213571	
				SCALE 2:1	
				SHEET 1 OF 1	

CUSTOMER DRAWING